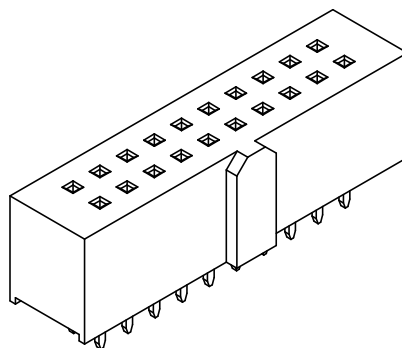
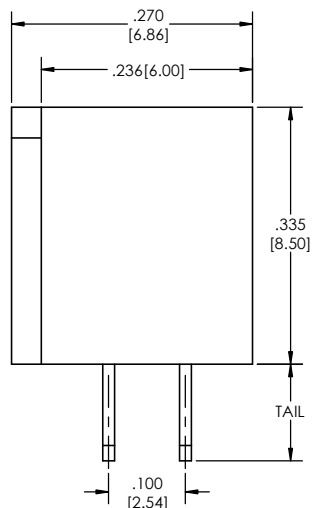
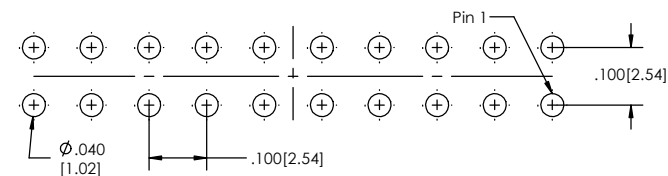


Recommended P.C. Board Layout

SCALE 6:1



SSHS-1 [XX] - [D] - [P] - [XX] - [XX] - [XX] - [XXX] - [LF]
 (A) (B) (C) (D) (E) (F) (G) (H)

- A. Pins Per Row - 1 through 40
- B. Row Specification - D= Double Row
- C. P= Polarization Key
- D. Pin Options - See Pin Options below
- E. Plating Options - See Plating Options Below
- F. Lock Tight "LT" (Optional) - LT= Board locking feature. - Leave blank if not needed.
- G. Polarized Position - Leave blank if not needed - If required, specify position to be empty e.g .012 for pin 12
- H. LF= Lead Free

Mates With:

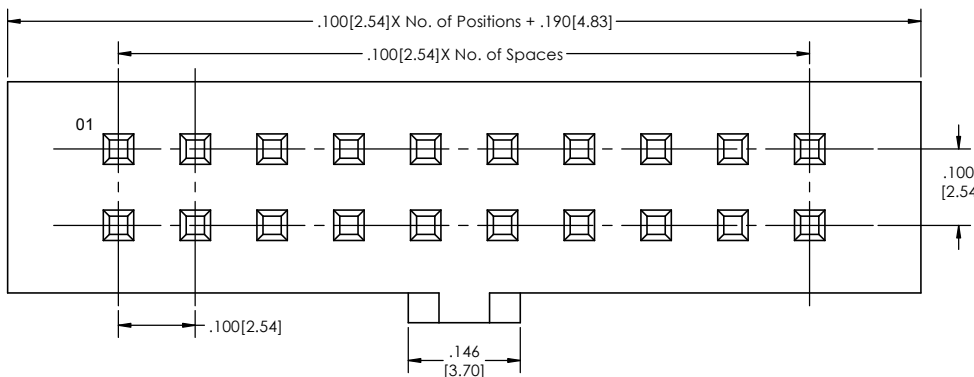
- BSTC TSHCR
- BSTCM TSHCRE
- BSTCR TSHCRSM
- BSTCRSM TSHR
- BSTS TSHRE
- LBSTCM TSHS
- LTSHCR TSHSCM
- LTSHCRE TSHSM
- LTSHR ULTSHSM
- LTSHRE ULTSHC
- LTSHSM ULTSHCR
- TSHC

Plating options	
G	-10µ Gold on Contact Area/ Flash on Tail
T	-Matte Tin all Over
GT	-10µ Gold on Contact Area/ Matte Tin on Tail
H	-30µ Gold on Contact Area/ Matte Tin on Tail
F	-Gold Flash over Entire Pin
FT	- Gold Flash on Contact Area/ Matte Tin on Tail

Specifications:
 Insertion Depth: .145(3.68) to .250(6.35)
 Insertion Force - Per Contact - H Plating:
 6oz. (1.67N) avg with .025(0.64mm) sq. pin
 Withdrawal Force - Per Contact - H Plating:
 5oz. (1.39N) avg with .025(0.64mm) sq. pin
 Current Rating: 3.0 Ampere
 Insulation Resistance: 1000M Ohms Min.
 Dielectric Withstanding: 600V AC
 Contact Resistance: 20M Ohms Max.
 Operation Temperature: -40°C to +105°C
 Max. Process Temperature
 Peak: 260°C up to 20 secs.
 Process: 230°C up to 60 secs.
 Wave: 260°C up to 6 secs.
 Manual Solder: 350°C up to 5 secs.

Pin Options		
Length	Tail Length	
.435[11.05mm]	.100[2.54mm]	02
.455[11.56mm]	.120[3.05mm]	04

Materials:
 Contact Material: Phosphor Bronze
 Insulator Material: Nylon 6T
 Plating: Au or Sn over 50u" (1.27) Ni
 Tails may be clipped to achieve specific dimensions.
 Products cut to specific sizes are uncancelable/ nonreturnable.
 Parts are subject to change without notice.



PROPRIETARY AND CONFIDENTIAL
 THE INFORMATION CONTAINED IN THIS DRAWING IS THE SOLE PROPERTY OF Major League Electronics. ANY REPRODUCTION IN PART OR AS A WHOLE WITHOUT THE WRITTEN PERMISSION OF Major League Electronics IS PROHIBITED.

UNLESS OTHERWISE SPECIFIED:		COMMENTS:		NAME	DATE
DIMENSIONS ARE IN INCHES		DRAWN: EOW		03/31/16	
TOLERANCES:		CHECKED: GWE		03/31/16	
ONE DECIMALS ±.100		ENG APPR:			
TWO DECIMAL ±.100		MFG APPR:			
THREE DECIMAL ±.005		ADDRESS:		2533 Centennial Blvd.	
FOUR DECIMAL ±.002		MATERIAL:		Jeffersonville, In 47130	
NEXT ASSY	USED ON	FINISH	Phone: 812-670-4174		
APPLICATION	DO NOT SCALE DRAWING	E-Mail: mle@mlelectronics.com		Fax: 812-670-4175	
				TITLE: SSHS-1-P	
				SIZE: C	DWG. NO.
				REV: D	
				SCALE: 8:1	SHEET 1 OF 1

